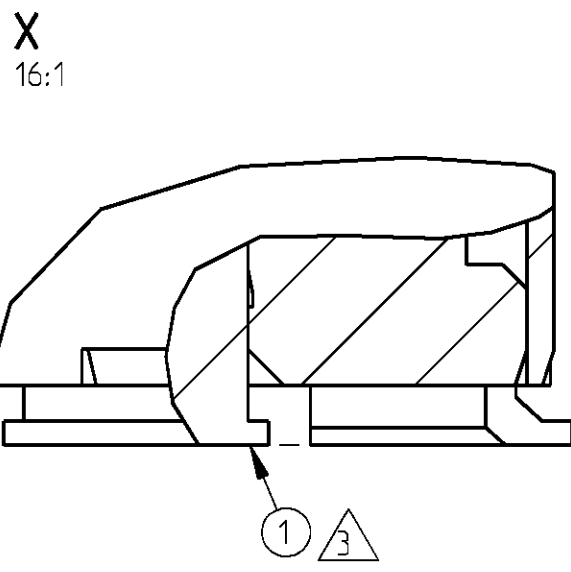
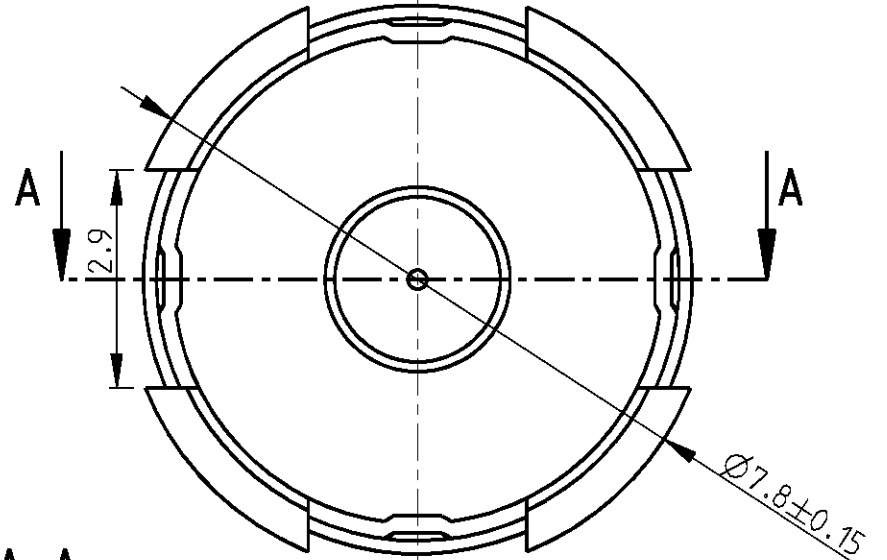
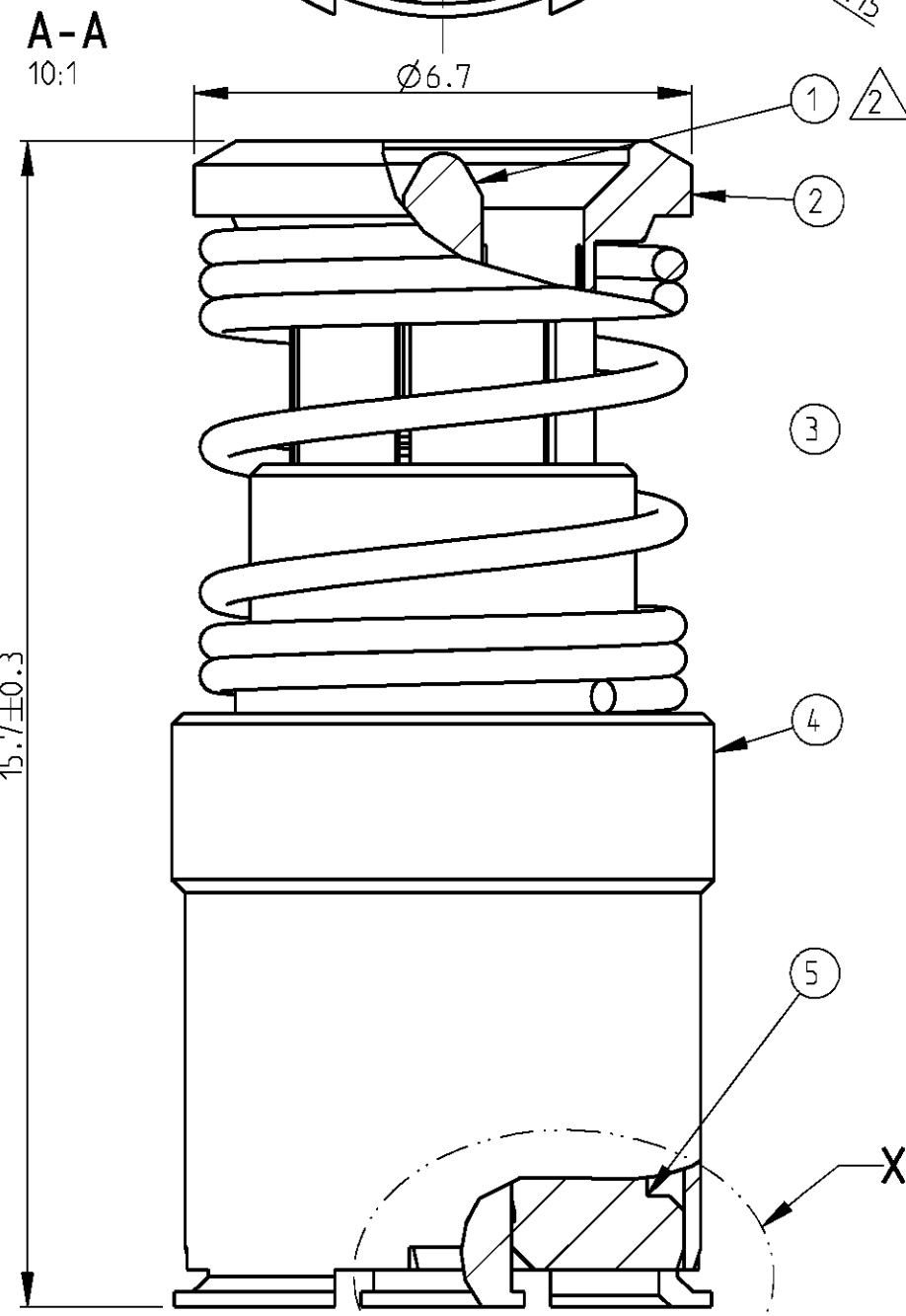
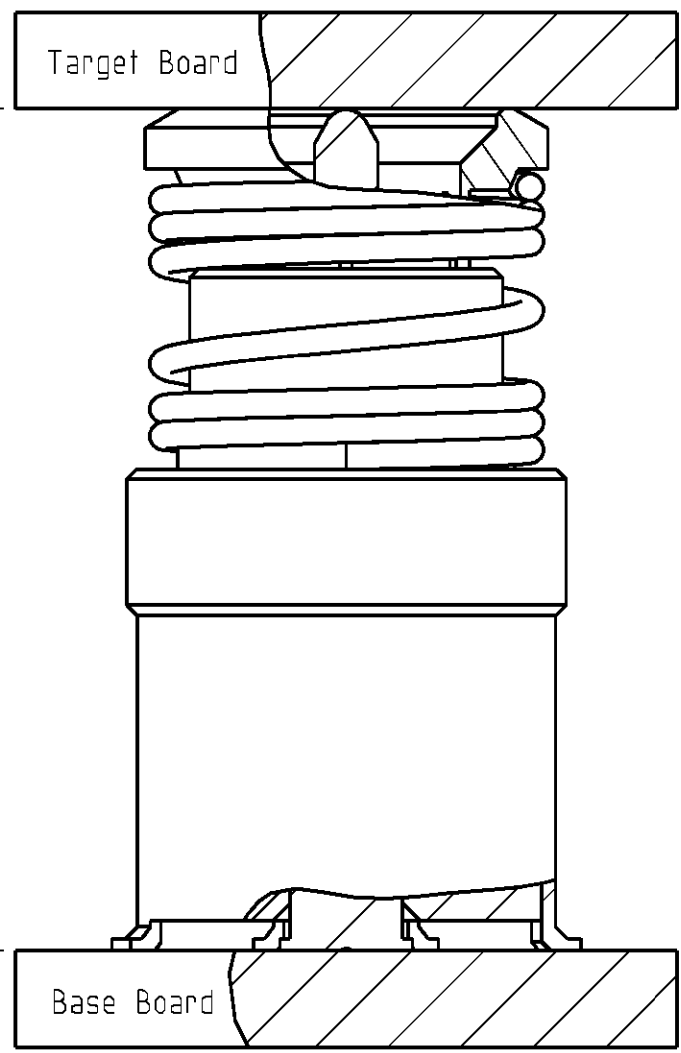


LOC	DIST	REVISIONS				
P	LTR	DESCRIPTION	DATE	DWN	APVD	
GW	00	A2	EC SR10 - 0112 - 04	22DEC2004	RLU DB	



△ 1  
 + ↑ REFERENCE PLANE  
 0:±0.06  
 - ↓

MATED BETWEEN BOARDS



<small>THIS DRAWING IS A CONTROLLED DOCUMENT FOR TYCO ELECTRONICS CORPORATION. IT IS SUBJECT TO CHANGE AND THE CONTROLLING ENGINEERING ORGANIZATION SHOULD BE CONTACTED FOR THE LATEST REVISION.</small>		DWN S. Kempter 22JUL02		Tyco Electronics Oostkamp - Belgium	
DIMENSIONS: mm		CHK B. Rithener 22JUL02		NAME BOARD-TO-BOARD CONNECTOR 14 MM HEIGHT	
TOLERANCES UNLESS OTHERWISE SPECIFIED: 0 PLC ±0.2 1 PLC ±0.2 2 PLC ±0.1 3 PLC ± 4 PLC ± ANGLES ±2°		APVD -	SIZE A3		
MATERIAL -		PRODUCT SPEC 108-71060	CAGE CODE 00779	DRAWING NO C-619127	RESTRICTED TO -
FINISH -		APPLICATION SPEC -	SCALE 8:1		SHEET 1 OF 3
		WEIGHT -	REV A2		
		CUSTOMER DRAWING			

LOC DIST  
GW 00

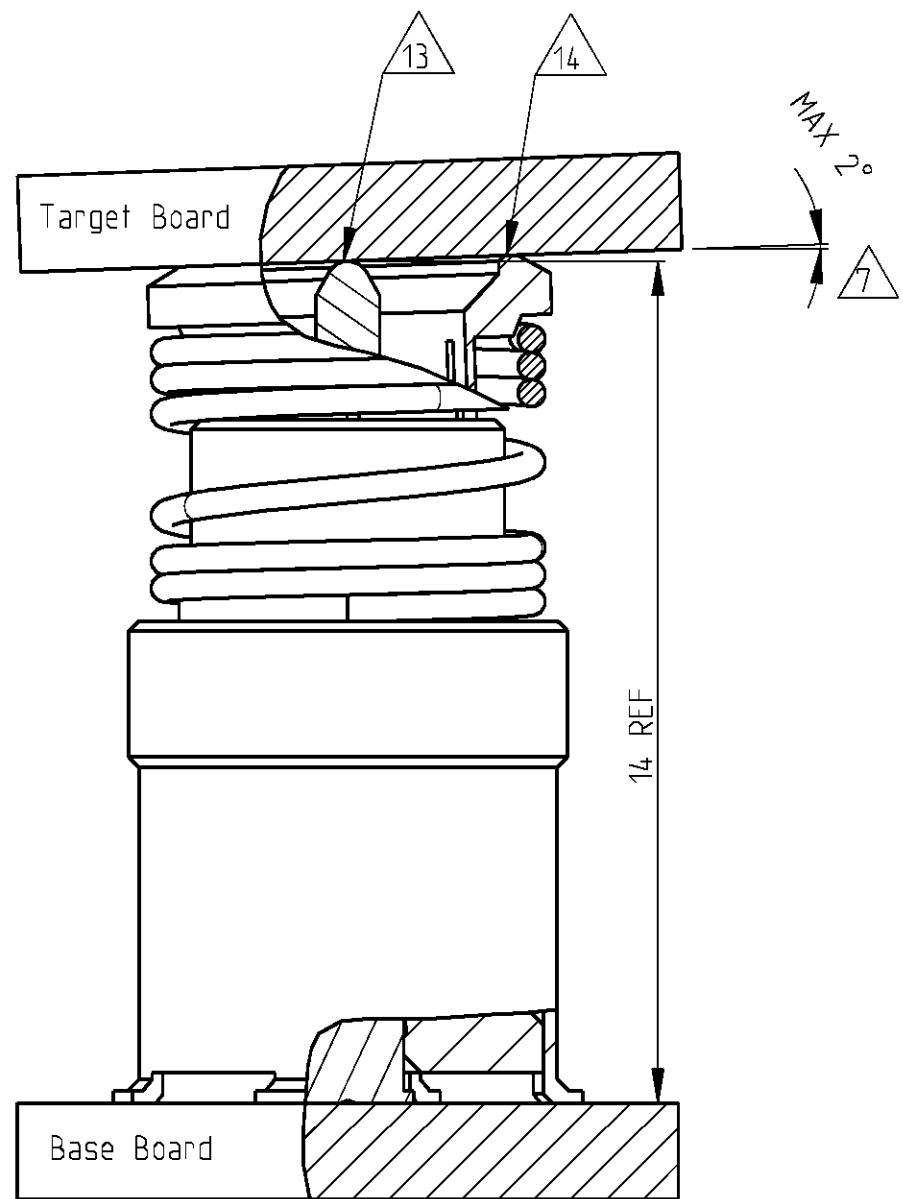
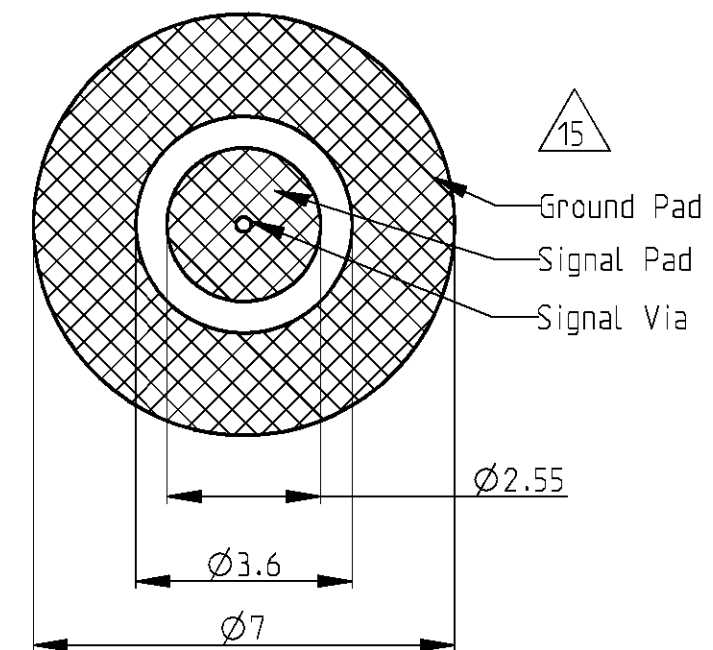
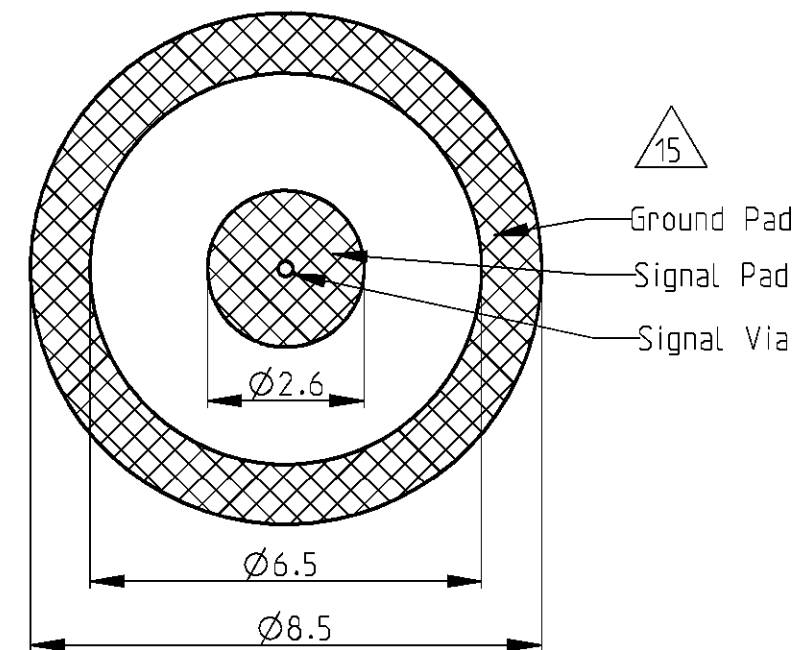
REVISIONS

P	LTR	DESCRIPTION	DATE	DWN	APVD
-	-	see sheet 1	-	-	-

- 1 POSITION OF CENTER CONTACT
- 2 PLATING 0.15 μm Au OVER NiP
- 3 PLATING 0.3 μm Au OVER NiP,
- 4 1 CONNECTOR PACKED IN PLASTIC BAG
- 5 DISTANCE BETWEEN PRINTED CIRCUIT BOARDS
- 6 MISALIGNMENT BETWEEN CONNECTOR AXIS AND TARGET LAYOUT ON TARGET BOARD: MAX 0.8 mm
- 7 ANGLE BETWEEN PRINTED CIRCUIT BOARDS

8 RECOMMENDED LAYOUT ON BASE BOARD

9 RECOMMENDED TARGET LAYOUT ON TARGET BOARD

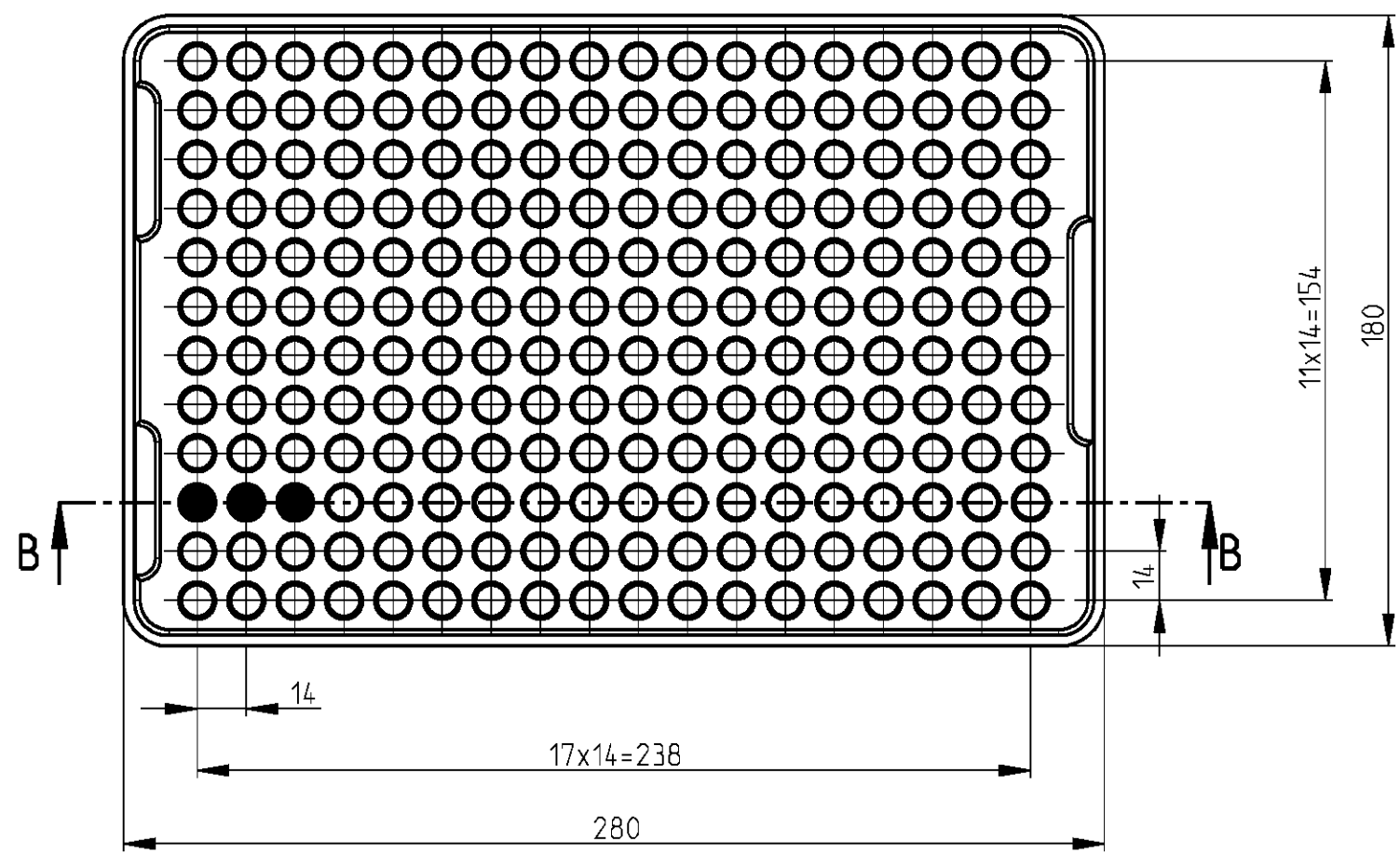
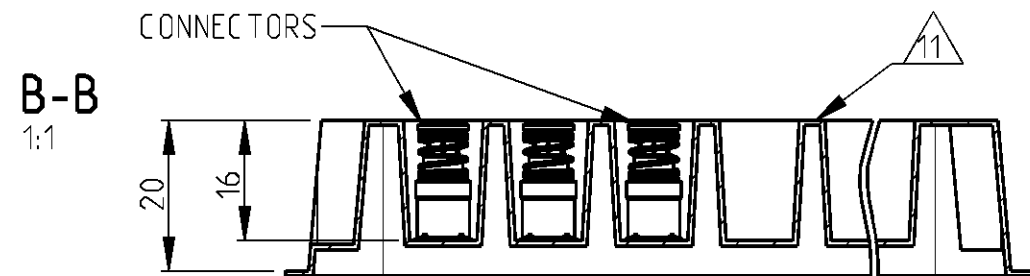


1	1	5	DIELECTRIC	PCT / PEEK	
1	1	4	OUTER SHELL	CuZn	2
1	1	3	SPRING	STAINLESS STEEL	
1	1	2	CONTACT RING	CuSn	2
1	1	1	CENTER CONTACT ASSEMBLY	CuZn, STAINLESS STEEL	2 3
5--1	-1	ITEM	DESCRIPTION	MATERIAL	PLATING
10	4	ORDER N°	ORDER N°		

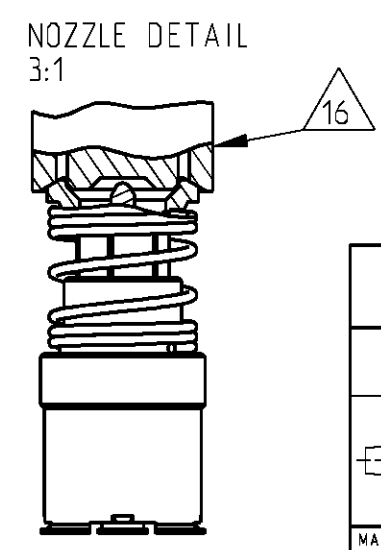
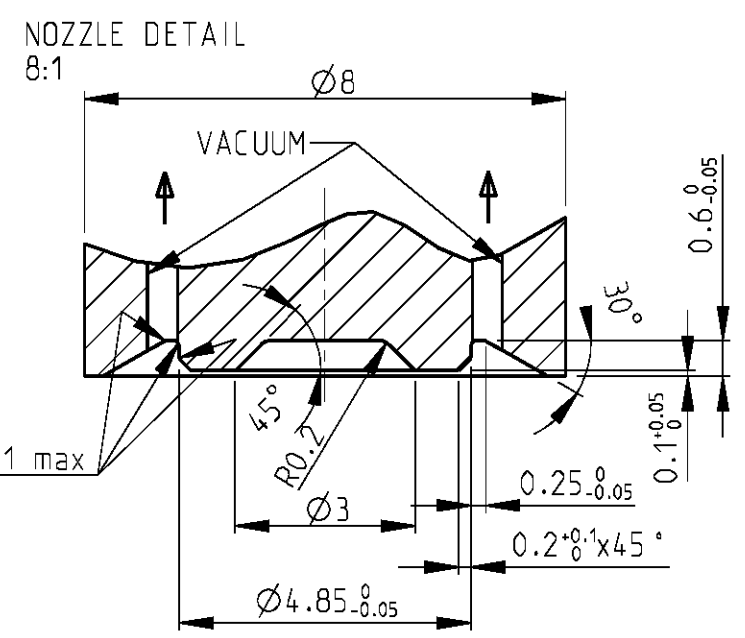
<small>THIS DRAWING IS A CONTROLLED DOCUMENT FOR TYCO ELECTRONICS CORPORATION. IT IS SUBJECT TO CHANGE AND THE CONTROLLING ENGINEERING ORGANIZATION SHOULD BE CONTACTED FOR THE LATEST REVISION.</small>		DWN S. Kempter 22JUL02 CHK B. Rithener 22JUL02 APVD - PRODUCT SPEC 108-71060 APPLICATION SPEC - WEIGHT -	<b>tyco</b> <b>Electronics</b> Tyco Electronics Oostkamp - Belgium
DIMENSIONS: mm 		NAME BOARD-TO-BOARD CONNECTOR 14 MM HEIGHT	
TOLERANCES UNLESS OTHERWISE SPECIFIED: 0 PLC ±0.05 1 PLC ±0.05 2 PLC ±0.05 3 PLC ± 4 PLC ± ANGLES ±2°		SIZE A3 CAGE CODE 00779 DRAWING NO C-619127	RESTRICTED TO -
MATERIAL - FINISH -		CUSTOMER DRAWING SCALE 8:1 SHEET 2 OF 3 REV A2	

THIS DRAWING IS UNPUBLISHED. RELEASED FOR PUBLICATION AUG. 2001  
 © COPYRIGHT 2001 BY TYCO ELECTRONICS CORPORATION, ALL RIGHTS RESERVED.

LOC	DIST	REVISIONS			
P	LTR	DESCRIPTION	DATE	DWN	APVD
GW	00	- see sheet 1	-	-	-



- △10 PACKAGING:  
 -216 CONNECTORS PER TRAY  
 -10 TRAYS PER SHIPPING BOX  
 -SHIPPING BOX DIMENSIONS (LxBxH): 287x187x200
- △11 ANTISTATIC MATERIAL
- 12 - ALTERNATIVE PACKAGING IN TAPE AND REEL
- △13 CONTACT FORCE FOR CENTER CONDUCTOR:  
 F MAX. = 2.8 N (Total length compressed at 13 mm)
- △14 CONTACT FORCE FOR CONTACT RING:  
 F MAX. = 5.3 N (Total length compressed at 13 mm)
- △15 RECOMENDED PCB CHARACTERISTICS :  
 - PLATING Au, SURFACE ROUGHNESS Rz4 MAX.  
 - PCB MATERIAL FR4  
 - PCB THICKNESS MIN. 0.8 mm
- △16 RECOMENDED NOZZLE DESIGN



<small>THIS DRAWING IS A CONTROLLED DOCUMENT FOR TYCO ELECTRONICS CORPORATION          IT IS SUBJECT TO CHANGE AND THE CONTROLLING ENGINEERING ORGANIZATION          SHOULD BE CONTACTED FOR THE LATEST REVISION.</small>		DWN S. Kempter 22JUL02 CHK B. Rithener 22JUL02 APVD - PRODUCT SPEC 108-71060 APPLICATION SPEC - WEIGHT - MATERIAL -		<b>tyco</b> Tyco Electronics <b>Electronics</b> Oostkamp - Belgium NAME BOARD-TO-BOARD CONNECTOR 14 MM HEIGHT SIZE A3 CAGE CODE 00779 DRAWING NO C-619127 RESTRICTED TO -	
DIMENSIONS: mm TOLERANCES UNLESS OTHERWISE SPECIFIED: 0 PLC ±0.05 1 PLC ±0.05 2 PLC ±0.05 3 PLC ± 4 PLC ± ANGLES ±2° FINISH -		CUSTOMER DRAWING		SCALE -	SHEET 3 OF 3